

LEON5 SPARC V8 Processor

LEON-PF-EX-UM

Features

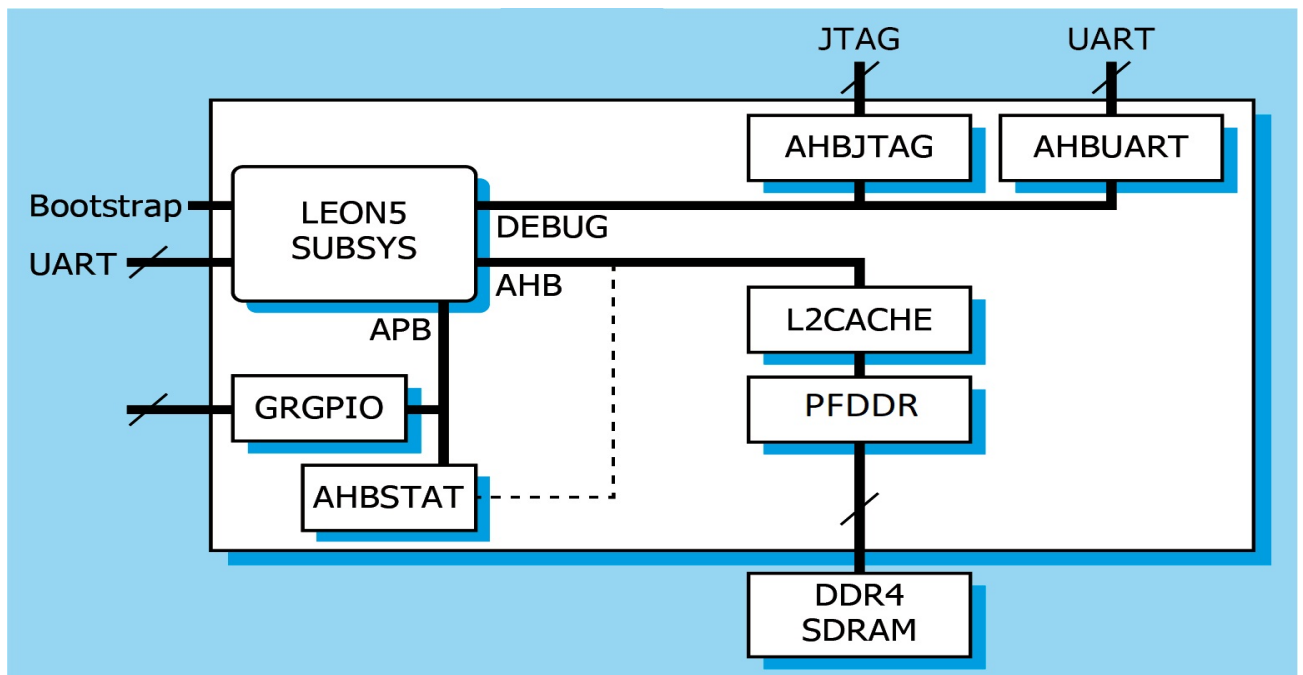
- LEON5 SPARC V8e integer unit(s) with dual-issue pipeline, 16 KiB instruction and 16 KiB data caches, hardware multiplier and divider, power-down mode, hardware watchpoints, etc.
- Double precision IEEE-754 floating point unit
- Memory management unit
- Advanced on-chip debug support unit
- Level-2 cache
- DDR4 SDRAM memory controller
- UART, Timers, GPIO port, Interrupt controller, Status registers

Description

The LEON-PF FPGA bitstreams are a collection of example designs built from the GRLIB IP library using a template design for Microchip PolarFire devices. The example designs are suitable for evaluation of LEON microprocessors in system-on-chip designs.

Specification

- Targets Microchip MPF300-SPLASH-KIT FPGA board
- 50 MHz system frequency



Applications

The LEON/GRLIB template designs can be adapted as multiple configurations, covering instrument, payload and control applications.



LEON5 SPARC V8 Processor

Table of contents

1	Introduction.....	3
1.1	Scope.....	3
1.2	Document revision history.....	3
1.3	Reference documents.....	3
2	Example designs.....	4
2.1	Overview.....	4
2.2	Configurations.....	5
3	Architecture.....	6
3.1	Cores.....	6
3.2	Interrupts.....	6
3.3	IP core documentation.....	7
3.4	Signals.....	8
3.5	Resource utilization.....	8
4	Working with the board.....	9
4.1	Prerequisites.....	9
4.2	Programming the FPGA device and connecting with GRMON3.....	9
4.3	Support.....	9
5	Ordering information.....	10

LEON5 SPARC V8 Processor

1 Introduction

1.1 Scope

The LEON line of processors and the GRLIB IP library has support for Microchip PolarFire devices. This support consists of a techmap layer that wraps specific technology elements such as memory macros and pads. GRLIB also contains a template designs for developments boards such as the Microchip MPF300-SPLASH-KIT and infrastructure that automatically builds project files for Microchip Libero and Synopsys Synplify Premier.

This document describes a set of ready-made FPGA configurations (bitstreams) that have been built from the GRLIB template designs.

1.2 Document revision history

Table 1. Change record

Version	Date	Note
1.0	2020 December	First issue
1.1	2023 May	Updated to Frontgrade Branding

1.3 Reference documents

- [AMBA] AMBA™ Specification, Rev 2.0, ARM IHI 0011A, 13 May 1999, Issue A, first release, ARM Limited
- [GRLIB] GRLIB IP Library User's Manual, Frontgrade Gaisler, www.gaisler.com
- [GRIP] GRLIB IP Core User's Manual, Frontgrade Gaisler, www.gaisler.com
- [QSG] LEON-PF-EX Quick Start Guide, LEON-XCKU-EX-QSG, www.gaisler.com/LEON-PF

LEON5 SPARC V8 Processor

2.2 Configurations

The bitstream is available for download from <https://www.gaisler.com/LEON-PF>

Table 2. Example configurations

Configuration name	EX1	EX2	EX3	EX4
PolarFire device	MPF300TS	MPF300TS	MPF300TS	MPF300TS
Processor	LEON5	LEON5	LEON5	LEON5
Number of processor cores	1	1	2	4
Level-1 cache	16+16 KiB	16+16 KiB	16+16 KiB	16+16 KiB
Hardware multiply÷	Yes	Yes	Yes	Yes
Multiply & accumulate	No	No	No	No
Single-vector trapping	Yes	Yes	Yes	Yes
Power down mode	Yes	Yes	Yes	Yes
Memory Management Unit	Yes	Yes	Yes	Yes
Floating Point Unit	GRFPU5	NanoFPU	GRFPU	NanoFPU
Debug Support Unit	Yes	Yes	Yes	Yes
Level-2 cache	Yes	Yes	Yes	Yes
UART Debug Link	Yes	Yes	Yes	Yes
JTAG Debug Link	Yes	Yes	Yes	Yes
Memory Controller	Microchip FDDR4	Microchip FDDR4	Microchip FDDR4	Microchip FDDR4
Standard peripherals	Yes	Yes	Yes	Yes

Note: The configurations above are examples on how to use the GRLIB IP cores on Microchip PolarFire. All IP cores have several configuration parameters and are individually configurable.

Note: While software may report that fault-tolerance is enabled for the example designs, the bitstreams are not suitable for use in environments with radiation effects.

LEON5 SPARC V8 Processor

3 Architecture

3.1 Cores

The common architecture is based on cores from the GRLIB IP library. The vendor and device identifiers for each core can be extracted from the plug & play information. The used IP cores are listed in table 3.

Table 3. Used IP cores

Core	Function	Vendor	Device
AHBCTRL	AHB Arbiter & Decoder	0x01	-
APBCTRL	AHB/APB Bridge	0x01	0x006
LEON5	LEON5 SPARC V8 32-bit processor	0x01	0x0BA
DSU5	LEON5 Debug support unit	0x01	0x0BB
L5STAT	LEON5 Performance counters	0x01	0x0B9
AHBUART	Serial/AHB debug interface	0x01	0x007
AHBJTAG	JTAG/AHB debug interface	0x01	0x01C
AHBSTAT	AHB failing address register	0x01	0x052
APBUART	8-bit UART with FIFO	0x01	0x00C
GPTIMER	Modular timer unit with watchdog	0x01	0x011
IRQMP	LEON3 Interrupt controller	0x01	0x00D
GRGPIO	General purpose I/O port	0x01	0x01A
L2CACHE	Level-2 Cache Controller	0x01	0x04B
PolarFire FDDR4	PolarFire FDDR4 controller - with GRLIB wrapper	0xAC	0x00C

Note that the table above lists IP cores used in the full set of planned LEON-PF-EX designs. Some designs may contain a subset of the IP cores in the table.

3.2 Interrupts

The LEON-PF-EX example designs use the same interrupt assignment for all configurations. See the description of the individual cores for how and when the interrupts are raised. All interrupts are handled by the interrupt controller and forwarded to the processor.

Table 4. Interrupt assignment

Core	Interrupt	Comment
AHBSTAT	4	
APBUART	2	
GPTIMER	8, 9	

3.3 IP core documentation

This user manual does not contain IP core documentation. Please refer to the GRLIB IP Core User's Manual [GRIP] available at <http://gaisler.com/products/grlib/grip.pdf>.

The GRMON debug monitor also provides information about the system-on-chip's configuration via the command **info sys**.

LEON5 SPARC V8 Processor

3.4 Signals

Please see the LEON-PF-EX Quick Start Guide [QSG] for information on FPGA pinout.

3.5 Resource utilization

Resource utilization is described in the GRLIB area spreadsheet, available at:

https://www.gaisler.com/products/grlib/grlib_area.xls

LEON5 SPARC V8 Processor

4 Working with the board

4.1 Prerequisites

The following items are required to use LEON-PF-EX designs:

- Workstation with Windows or Linux
- Microchip MPF300-SPLASH-KIT
- GRMON3 debug monitor
- LEON-PF bitstream

The two last items can be downloaded via <http://gaisler.com/LEON-PF>.

Gaisler's standard offer of toolchains can be used to build and run software on the LEON-PF-EX designs. Toolchains and run-time environments are available for download via <http://gaisler.com>.

4.2 Programming the FPGA device and connecting with GRMON3

Please see the LEON-PF-EX Quick Start Guide [QSG] for information on FPGA programming and using the SoC design.

4.3 Support

In case of technical issues please contact support@gaisler.com. The support line is normally available only to companies and institutions with active support contracts. Limited support for the LEON-PF-EX example designs is provided. When contacting support please provide a clear description of which design that is used and your affiliation.

Sales and licensing questions should be directed to sales@gaisler.com.

There is also an open forum available at <https://gplib.community>

LEON5 SPARC V8 Processor

5 Ordering information

Please contact sales@gaisler.com for information on the GRLIB IP library.

Frontgrade Gaisler AB
Kungsgatan 12
411 19 Göteborg
Sweden
www.frontgrade.com/gaisler
sales@gaisler.com
T: +46 31 7758650

Frontgrade Gaisler AB, reserves the right to make changes to any products and services described herein at any time without notice. Consult the company or an authorized sales representative to verify that the information in this document is current before using this product. The company does not assume any responsibility or liability arising out of the application or use of any product or service described herein, except as expressly agreed to in writing by the company; nor does the purchase, lease, or use of a product or service from the company convey a license under any patent rights, copyrights, trademark rights, or any other of the intellectual rights of the company or of third parties. All information is provided as is. There is no warranty that it is correct or suitable for any purpose, neither implicit nor explicit.

Copyright © 2023 Frontgrade Gaisler AB